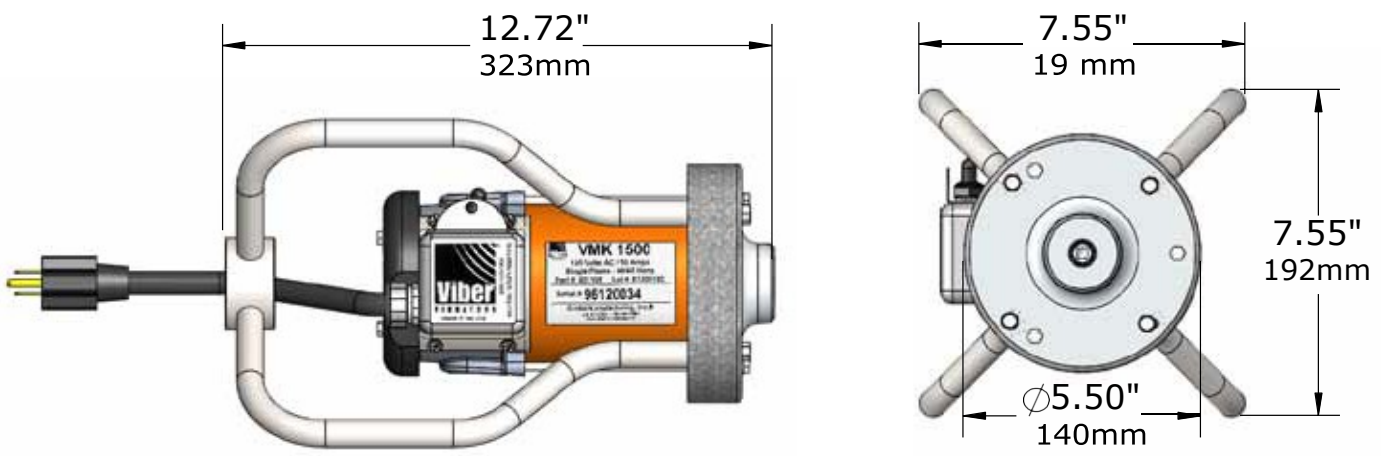


Performance Data for Viber® Electric Power Units						
Model	Weight pounds	HP	AMP / HP Rating	Plug	Quick Disconnect	Maximum Head Size inches
VMK 1500	13.0	2.5	10 amps	Standard	No	1 ½
VMK 1500 L	13.2	2.5	10 amps	Twist Lock	No	1 ½
VMK 1500 240V	13.0	2.5	6 amps	240 V	No	1 ½
VMK 1500 Q	13.4	2.5	10 amps	Standard	Yes	1 ½
VMK 1500 QL	13.5	2.5	10 amps	Twist Lock	Yes	1 ½
VMK 1500 Q 240V	13.4	2.5	6 amps	240 V	Yes	1 ½
VMK 2500	15.7	2.5	15 amps	Standard	No	1 ¾
VMK 2500 L	15.9	2.5	15 amps	Twist Lock	No	1 ¾
VMK 2500 230V	15.7	2.5	8 amps	230 V	No	1 ¾
VMK 2500 Q	16.1	2.5	15 amps	Standard	Yes	1 ¾
VMK 2500 QL	16.2	2.5	15 amps	Twist Lock	Yes	1 ¾
VMK 2500 Q 240V	16.1	2.5	8 amps	230 V	Yes	1 ¾
VMK 2750	21.6	2.5	15 amps	Standard	No	2 ⅛
VMK 2750 L	21.8	2.5	15 amps	Twist Lock	No	2 ⅛
VMK 2750 240V	21.6	2.5	9 amps	240 V	No	2 ⅛
VMK 2750 Q	22.0	2.5	15 amps	Standard	Yes	2 ⅛
VMK 2750 QL	22.2	2.5	15 amps	Twist Lock	Yes	2 ⅛
VMK 2750 Q 240V	22.0	2.5	9 amps	240 V	Yes	2 ⅛
VMK 3500	24.1	3.0	20 amps	Twist Lock	No	2 ½
VMK 3500 240V	24.1	3.0	12 amps	240 V	No	2 ½
VMK 3500 Q	24.5	3.0	20 amps	Twist Lock	Yes	2 ½
VMK 3500 Q 240V	24.5	3.0	12 amps	240 V	Yes	2 ½

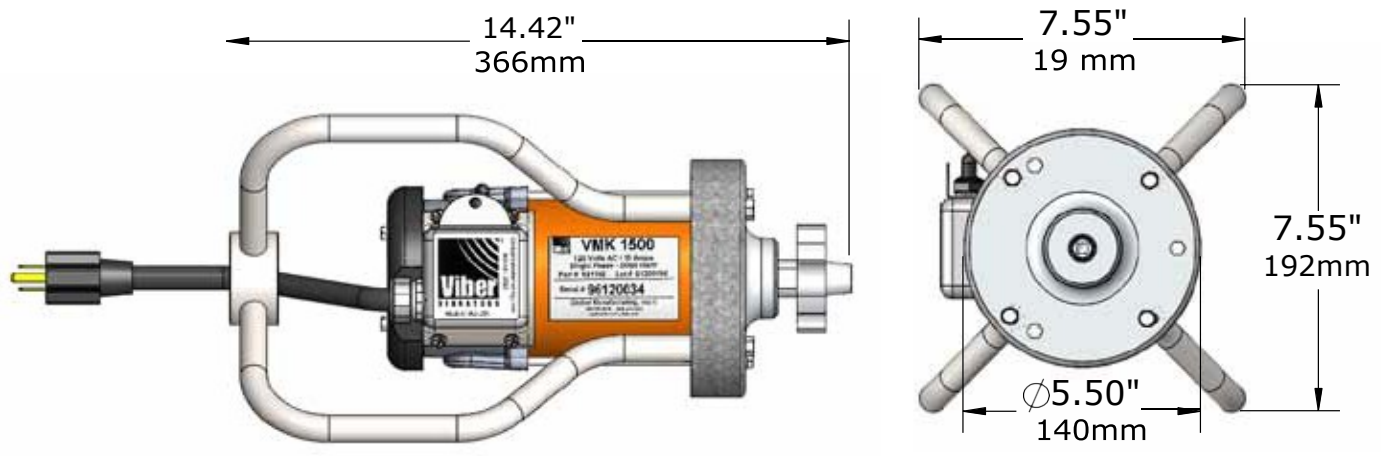
Head Specifications					VMK-1500		VMK-2500		VMK-2750		VMK-3500	
Diameter inches	Length inches	Weight pounds	Un-balance lb-in	Ave Amp (Peak-to-Peak)	Speed ¹ rpm	Force pounds	Speed ¹ rpm	Force pounds	Speed ¹ rpm	Force pounds	Speed ¹ rpm	Force pounds
7/8	11.94	1.4	0.029	0.041	14,000	161	15,300	193	15,800	206	16,500	224
1	12.45	2.1	0.029	0.028	14,000	161	15,300	193	15,800	206	16,500	224
1 1/4	12.19	3.0	0.092	0.062	12,600	415	13,300	462	14,000	512	14,600	557
1 1/2	12.04	4.1	0.162	0.079	12,000	663	12,300	859	13,000	778	13,200	802
1 3/4	13.05	6.2	0.236	0.077	11,500	886	11,800	933	12,900	1,115	12,900	1,115
2 1/8	13.01	9.2	0.337	0.073	9,500	864	11,000	1,158	11,900	1,355	12,200	1,425
2 1/2	12.52	12.2	0.478	0.078	8,900	1,075	10,000	1,358	10,900	1,613	12,000	1,955
Special Purpose Heads												
7/8 Low Force	9.94	1.2	0.012	0.021	14,200	69	15,500	82	15,900	86	16,700	95
2 1/8 Shallow Pour	5.84	3.3	0.168	0.102	12,200	710	12,500	746	13,200	831	13,400	857
Unshaded	Best Performance.											
Shaded	Reduced Performance because speed is too high or too low. A 10% increase in speed reduces the head bearing life by 50%.											

¹ The speed provided above is an approximation of the head speed in concrete for the specified motor-head combination. The actual speed will vary depending on temperature, consistency of the concrete, the degree of brush wear, the hours on the bearings, etc. Running an electric motor with too large a head will slow the motor and can result in excess amp draw and heat generation with premature motor failure.

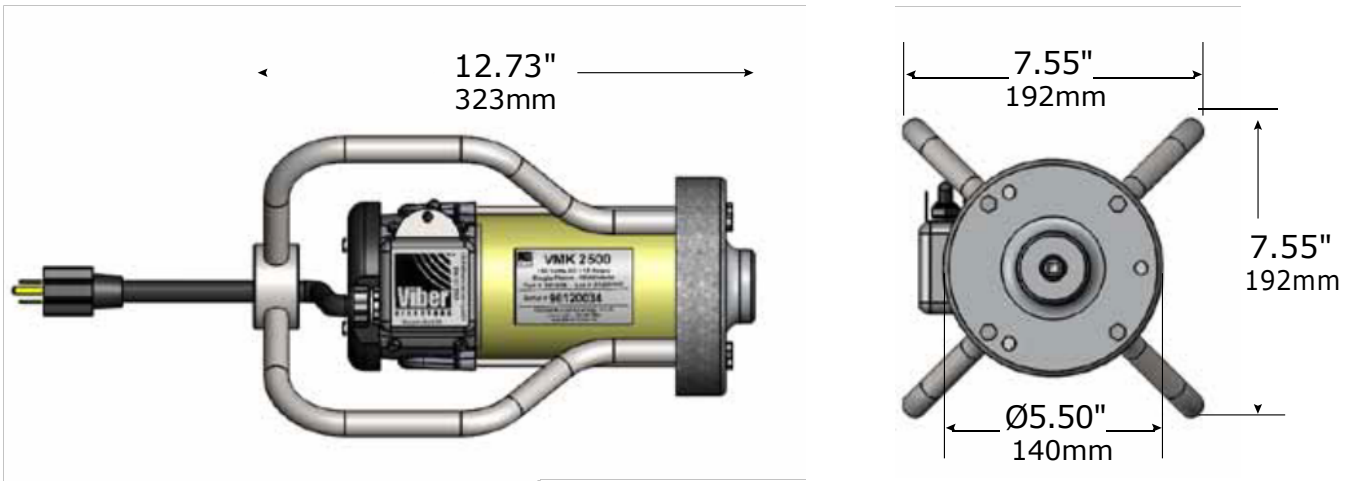
**VMK-1500 Standard Model
No Quick Disconnect**



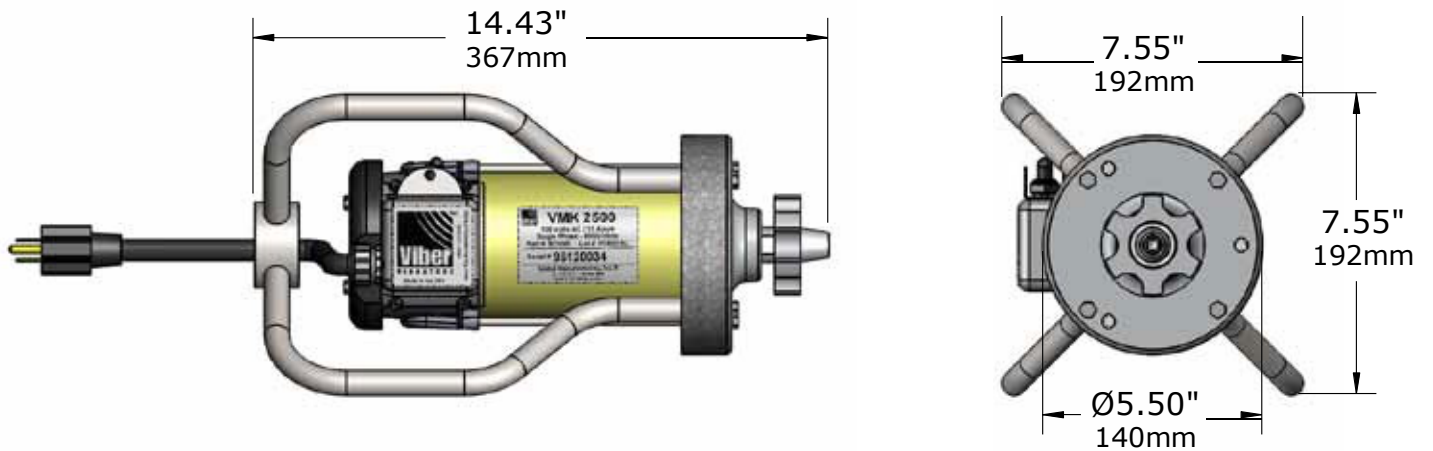
**VMK-1500
With Quick Disconnect**



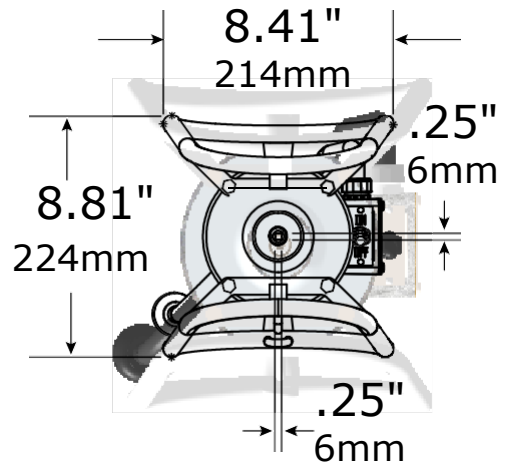
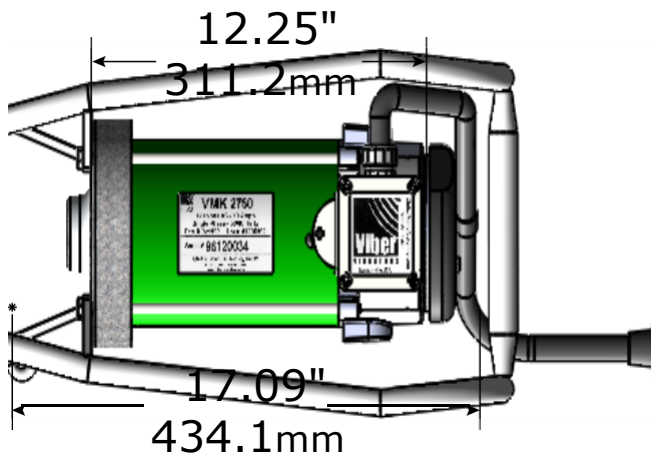
**VMK-2500 Standard Model
No Quick Disconnect**



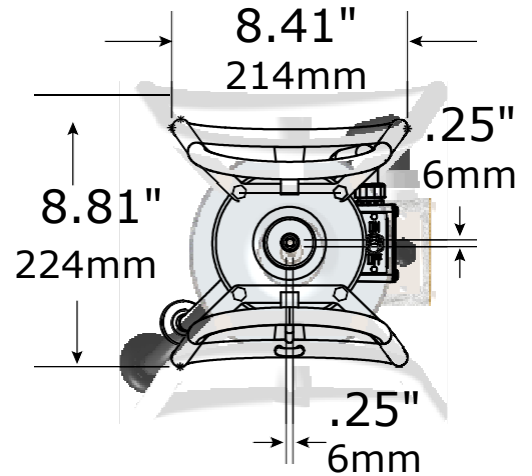
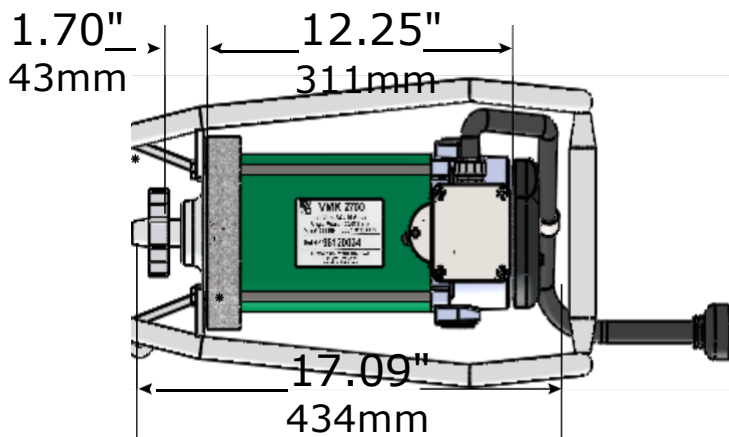
**VMK-2500
With Quick Disconnect**



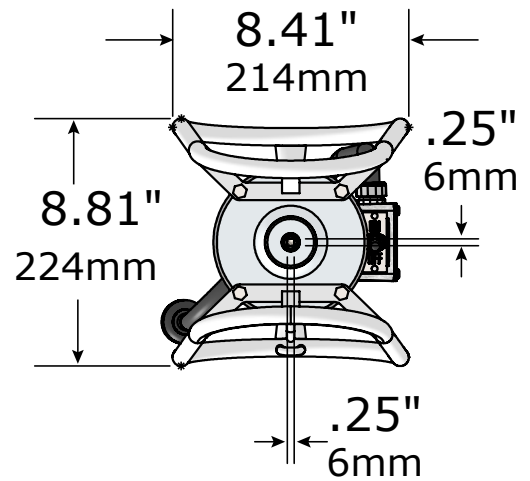
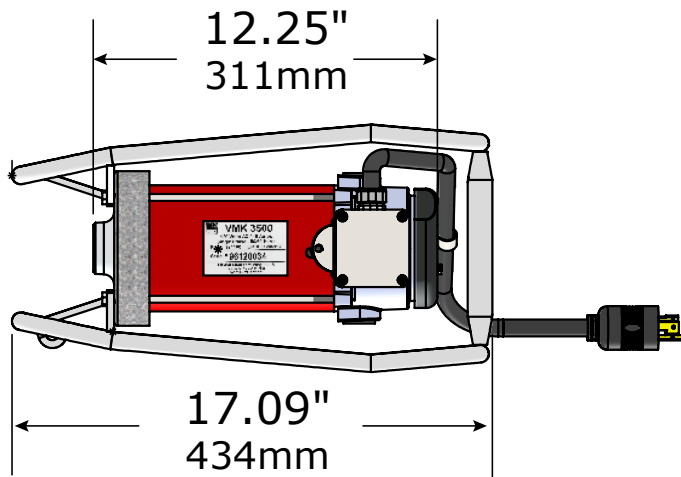
**VMK-2750 Standard Model
No Quick Disconnect**



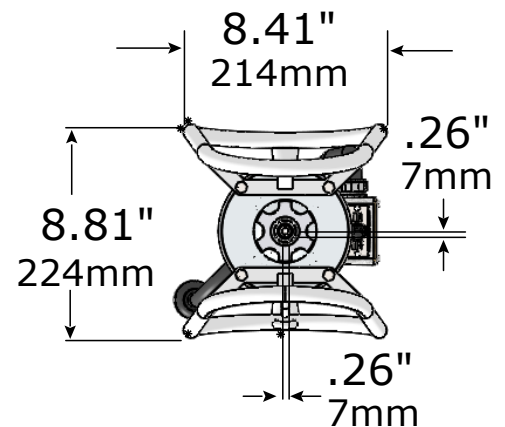
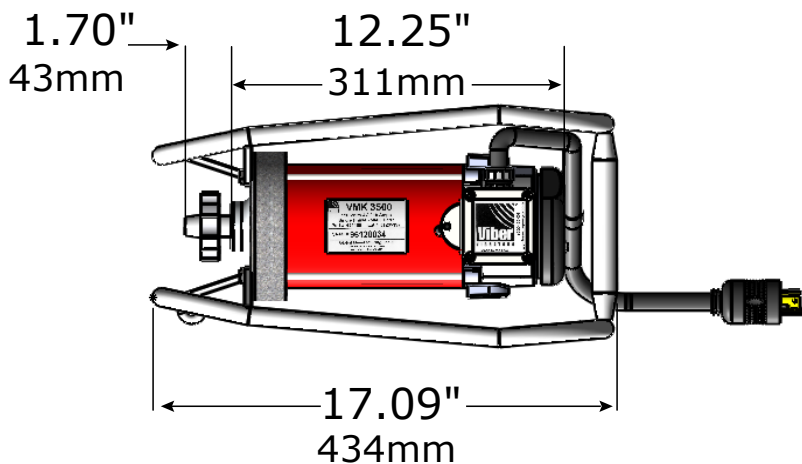
VMK-2750 With Quick Disconnect



**VMK-3500 Standard Model
No Quick Disconnect**



VMK-3500 With Quick Disconnect



Distributed By:


ChicagoVibratorProducts
Flow and Compaction
 Division of CVP Group
 800-842-7284 (P)
 866-247-7538 (F)
 Solutions@ChiVib.com
 www.ChicagoVibrator.com